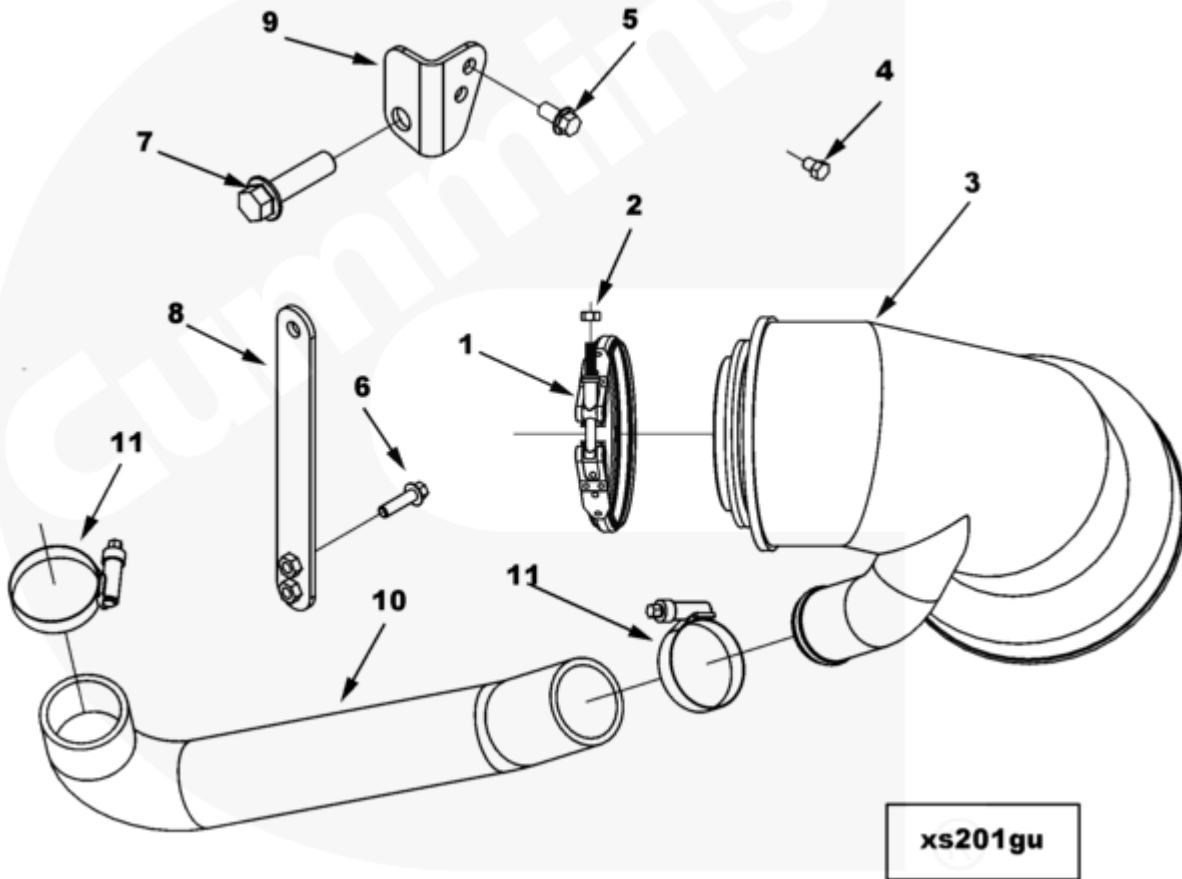




## Parts Catalog - Option Detail

Electronic Parts Catalog - Option Detail				
Option	Group	Graphic	Film Card	Date
XS2050-07	11.01.1	xs201gu	II	01-APR-04
<b>Engines</b>	ISM CM570, ISM CM570/870, ISM CM875, ISM CM876, ISM CM876 E, ISM11 CM876 M103, ISM11 CM876 SN, M11 CELECT, M11 CELECT PLUS, M11 MECHANICAL, QSM11 CM570, QSM11 CM876			

©Cummins Inc



[SMALL](#) | [MEDIUM](#) | [LARGE](#)

Cart	Ref No	Part Number	Part Description	Required	Remarks
<a href="#">View My Cart</a>					
		XS2050-07	Exhaust Outlet Connection		
					Exhaust Outlet Connection
					Outlet Connection Type: 90
					Degree Elbow

					Turbo Outlet Connection O D:
					203.2mm (8")
					Outlet Conn Clamp Qty: One
					Outlet Conn Clamp Dia: 127mm
					(5")
					Outlet Conn Clamp Type:
					V-Band Marmon
					Outlet Conn Clamp Supplied:
					In Kit
					Seawater Cooled Exhaust
					Connection for Marine Engines
					with 2" Seawater Inlet &
					8" Exhaust Outlet. Elbow
					is mounted on the engine.
<input type="checkbox"/>		<a href="#">3804924</a>	Kit , V-Band Clamp		For All HT60 Turbochargers
<input type="checkbox"/>	1	<a href="#">3539458</a>	V Band Clamp	1	For All HT60 Turbochargers
<input type="checkbox"/>	2	<a href="#">3529372</a>	Regular Hexagon Nut	1	1/4 - 28 UNF
<input type="checkbox"/>	3	<a href="#">3965690</a>	Exhaust Outlet Connection	1	
<input type="checkbox"/>	4	<a href="#">3084829</a>	Pipe Plug	1	1/8 - 27 NPTF
<input type="checkbox"/>	5	<a href="#">3099833</a>	Hexagon Flange Head Cap Screw	1	
<input type="checkbox"/>	6	<a href="#">3900630</a>	Hexagon Flange Head Cap Screw	2	M8 X 1.25 X 20
<input type="checkbox"/>	7	<a href="#">3903990</a>	Hexagon Flange Head Cap Screw	1	M10 X 1.50 X 20.
<input type="checkbox"/>	8	<a href="#">4078294</a>	Exhaust Outlet Connection Brace	1	
<input type="checkbox"/>	9	<a href="#">4078296</a>	Exhaust Connection Bracket	1	
<input type="checkbox"/>	10	<a href="#">3349743</a>	Molded Hose	1	
<input type="checkbox"/>	11	<a href="#">3922847</a>	Hose Clamp	2	